

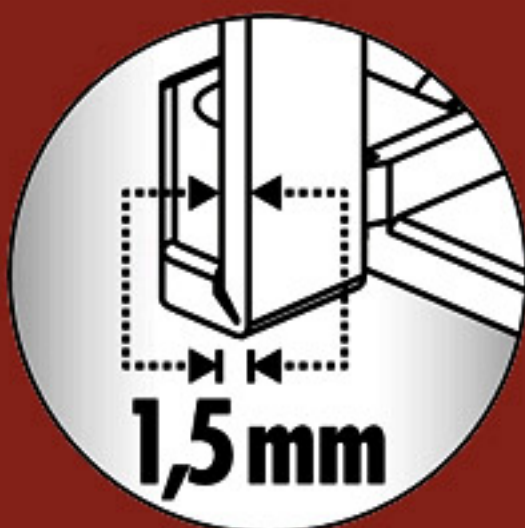
# R.L.S.

RAIMONDI LEVELLING SYSTEM

# 3D

PATENT PENDING

100% MADE IN ITALY



[www.raimondispa.com/raimondi-levelling-system](http://www.raimondispa.com/raimondi-levelling-system)

  
**RAIMONDI** S.p.A.  
[www.raimondiutensili.it](http://www.raimondiutensili.it)

DAL 1974 INNOVAZIONI PER I  
PROFESSIONISTI DELLA POSA  
SINCE 1974 INNOVATIONS FOR  
THE TILE SETTING PROFESSIONAL

